

SERCO TOP UA U-PLOW

Versatile and high quality!

- SERCO U-plows made in Finland, developed for professional use
- Convenient for moving and piling snow and snow removal also when reversing
- The floating design with the intermediate beam keeps the center of gravity smooth when plowing with an angle
- Robust and durable. Follows the ground and doesn't start jumping on icy, packed snow.
- Expander bolts in joints eliminate looseness in joints caused by wear.
- Wing movement 165-180 degrees.
- Turning angle is 30 degrees in bigger plow and 25 degrees in smaller plow.



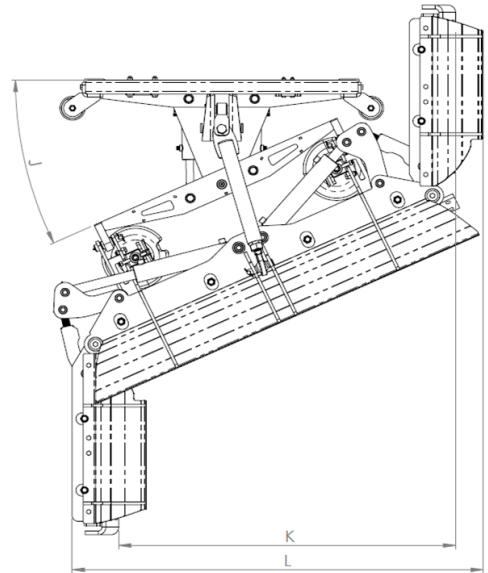
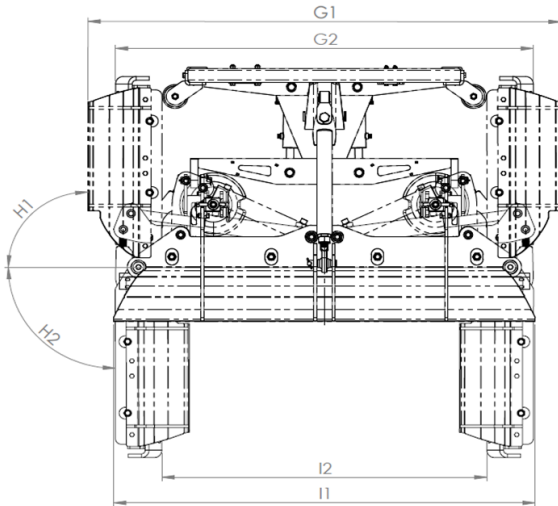
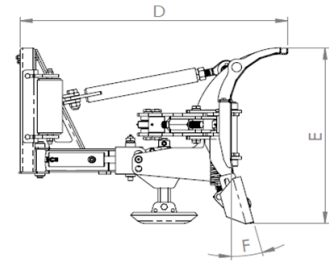
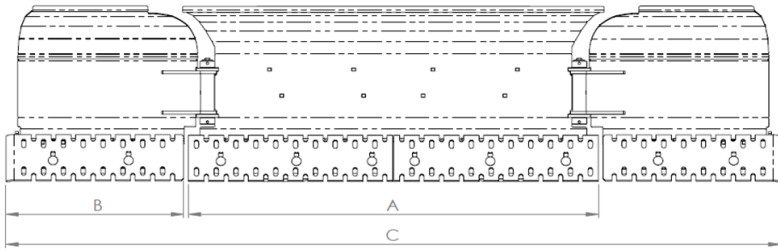
Standard equipment

- Bolt connected quick coupler
- Perforated blades
- Float

There is in Top 200/2500 plows the floating tip of the side blade which reduces blade wear at the tip of the side blade.



SERCO TOP UA U-PLOW



MODEL	Product number	The working width of the middle plate A	Working width of the wings B	Working width with wings spread C	The total length D	The total height E	Widths wings back G1 / G2	Widths wings forward I1 / I2	Turning angle J	Weight (incl. Turning device)
Top 1400/700UA	606265	1450 mm	720 mm	2920 mm	1080 mm	750 mm	2070 / 1890	1500 / 1110	25 °	625 kg
Top 1400/900UA	606266	1450 mm	920 mm	3320 mm	1080 mm	750 mm	2170 / 2000	1500 / 1110	25 °	660 kg
Top 1600/700UA	606267	1650 mm	720 mm	3130 mm	1080 mm	750 mm	1900 / 1680	1700 / 1310	25 °	650 kg
Top 1600/900UA	606268	1650 mm	920 mm	3530 mm	1080 mm	750 mm	1900 / 1680	1700 / 1310	25 °	685 kg
Top 1600/1100UA	606269	1650 mm	1120 mm	3930 mm	1080 mm	750 mm	1900 / 1680	1700 / 1310	25 °	740 kg
Top 1800/700UA	606270	1840 mm	720 mm	3320 mm	1170 mm	750 mm	2100 / 1880	1900 / 1510	30 °	865 kg *
Top 1800/900UA	606271	1840 mm	920 mm	3720 mm	1170 mm	750 mm	2100 / 1880	1900 / 1510	30 °	900 kg *
Top 1800/1100UA	606272	1840 mm	1120 mm	4130 mm	1170 mm	750 mm	2100 / 1880	1900 / 1510	30 °	955 kg *
Top 2000/850UA	605838	2000 mm	850 mm	3780 mm	1860 mm	1180 mm	2870 / 2080	2690 / 2430	30 °	992 kg *
Top 2500/850UA	605839	2400 mm	850 mm	4150 mm	1860 mm	1180 mm	3240 / 2450	3060 / 2800	30 °	1040 kg *