



WORK MACHINES FOR HEROES

Spreaders | Plows | Washers | Brush devices | Dump buckets | Vacuums and blowers | Graders | Tipping platforms | Tanks and pumps



PRODUCT INDEX

SPREADERS



Vilho LKS Disc Bucket Spreader



Valter TKH Roller Bucket Spreader



Vilho LS Disc Spreader



Reko TVH Roller Frame Spreader

TIPPING PLATFORMS



Top KL Tipping Platform



SERCO Top Tipping Platform Spreader

PLOWS



Top SA Zoom Plow



Skaala A and TRA Plows



Top UA U-Plow



Top Ice Rink Plow

DUMP BUCKETS



Top HK Dump Bucket

BRUSH DEVICES



Niilo KH Bucket Brush



Serco Reko KH Bucket Brush

GRADERS



Kerttu TL Road Grader



Kerttu KPK Packed Snow Grader

VACUUMS AND BLOWERS



Top LI Leaf Vacuum and LPI Leaf Blower-Vacuum

WASHERS, TANKS, PUMPS



Aaro HP High-Pressure Washer



Aaro SWT Transport Tank



Aaro RW High-Pressure Washer



Aaro CC High-Pressure Washer



Stainless Steel Tanks

SPREADERS	4
Vilho LKS Disc Bucket Spreader	4
Valter TKH Roller Bucket Spreader	6
Vilho LS Disc Spreader	8
Reko TVH Roller Frame Spreader	10
TIPPING PLATFORMS	12
Top KL Tipping Platform	12
SERCO Top Tipping Platform Spreader	13
PLOWS	14
Top SA Zoom Plow	14
Skaala A and TRA Plows	16
Top UA U-Plow	18
Top Ice Rink Plow	20
DUMP BUCKETS	22
Top HK Dump Bucket	22
BRUSH DEVICES	24
Niilo KH Bucket Brush	24
Serco Reko KH Bucket Brush	26
GRADERS	28
Kerttu TL Road Grader	28
Kerttu KPK Packed Snow Grader	29
VACUUMS AND BLOWERS	30
Top LI Leaf Vacuum and LPI Leaf Blower-Vacuum	30
TANKS, WASHERS AND PUMPS	30-33
Aaro HP High-Pressure Washer	32
Aaro SWT Transport Tank	33
Aaro RW High-Pressure Washer	34
Aaro CC High-Pressure Washer	35
STAINLESS STEEL TANKS, PUMPS	36-37

We help the heroes of property maintenance

Here at JPT Serco, we design and manufacture SERCO brand work machines for the year-round maintenance and upkeep of roads and lanes. In this brochure you will find e.g. equipment for professional snow plowing, grit spreading, levelling, washing and sweeping.

Today, SERCO products are inspired by the everyday heroes, who climb into their work machines to ensure the safety and cleanliness of our environment around the clock. By buying a SERCO product, you too can be part of supporting everyday heroes now and in the future!

We are here for you, so don't hesitate to contact us for further information!

Serco Team



VILHO LKS DISC BUCKET SPREADER

- Vilho disc sander is a sander developed by SERCO for professional use behind the tractor.
- With the Vilho disc sander bucket you sand up to 75% faster and the material saving is up to 30% compared to a roller-type sander
- Hydraulically operated, electronically adjustable spreading amount and spreading width (selectable 12/24 V depending on the customer's work machine)
 - Spreading amount infinitely adjustable from 10-200 g/m³
 - The spreading width is infinitely adjustable in the 250/350 l size classes: 1-6 m and in the 450 - 2000 l size classes: 1-8 m
- Need for hydraulics: Continuous pressure and return (two hoses).
- Oil flow min 56 l/min and max 100 l/min.
- Standard equipment includes e.g. control panel coming into the cabin, safety grill and bolt-on quick fix connector.

Accessories

- SERCO Spring-loaded, Rolling Cover + Tarp Frames
- SERCO Electric Set
- SERCO Hardox Screw
- SERCO Wear Lip Plate
- SERCO LKS Marker Light Set
- SERCO LKS/LS Spreading Capacity Automation
- SERCO Vibration System



Hydraulically operated, with the control panel adjusting the spreading capacity and width from the cap.



Cover set available as an optional extra.

Watch product video
<https://youtu.be/XbheQi2aqWk>



Even spreads grit under vehicles!



MODEL	Product number	Capacity	Weight	Width	Height	Length	Base machine weight recommendation
Vilho 450LKS	600833	450 l	323 kg	1615 mm	871 mm	1042 mm	Min. 3 t
Vilho 650LKS	603089	650 l	351 kg	1615 mm	996 mm	1119 mm	Min. 4 t
Vilho 1000LKS	600832	1000 l	443 kg	2030 mm	1088 mm	1173 mm	Min. 5 t
Vilho 1250LKS	603105	1250 l	479 kg	2030 mm	1213 mm	1216 mm	Min. 6 t
Vilho 1500LKS	602421	1500 l	527 kg	2030 mm	1315 mm	1251 mm	Min. 7 t
Vilho 2000LKS	601064	2000 l	758 kg	2297 mm	1444 mm	1393 mm	Min. 8 t
Vilho 3000LKS	603106	3000 l	974 kg	2297 mm	1745 mm	1521 mm	Min. 9 t

VALTER TKH ROLLER BUCKET SPREADER

- Valter TKH Roller Bucket Spreaders come in seven size classes
- Hydraulically operated, manually adjustable rotation speed
- The spreading capacity is adjusted from the flow control valve on the side of the machine, or if the oil flow of the base machine can be adjusted, the capacity can also be adjusted from the cab
- Crusher rotor and grille as standard
- Hydraulic requirements: pressure and return connection
- Oil flow max. 100 l/min
- Suited for all spreading materials. Intended for spreading 0–8 mm grit but the maximum particle size is 16 mm.
- Hydraulic couplings and quick coupler included in the price



Watch product video
<https://youtu.be/4wr197fO9FM>



Reliable and flexible spreader



Model	Product number	Capacity	Weight	Total width	Working width	Base machine weight recommendation
Valter 500TKH	605563	500 l	400 kg *	1700 mm	1500 mm	Min. 3 t
Valter 700TKH	605564	700 l	450 kg *	1700 mm	1500 mm	Min. 4 t
Valter 1000TKH	605565	1000 l	520 kg *	2000 mm	1800 mm	Min. 5 t
Valter 1500TKH	605566	1500 l	620 kg *	2200 mm	2000 mm	Min. 7 t
Valter 2000TKH	605567	2000 l	750 kg	2400 mm	2200 mm	Min. 8 t
Valter 2500TKH	605568	2500 l	840 kg	2550 mm	2300 mm	Min. 9 t
Valter 3000TKH	605569	3000 l	1005 kg	2800 mm	2600 mm	Min. 10 t
Valter 3500TKH	605570	3500 l	1160 kg	3000 mm	2800 mm	Min. 11 t

* Paino ilman kiinnikettä.

VILHO LS DISC SPREADER

- Hydraulically operated, electronically adjustable spreading capacity and spreading width
 - Spreading capacity 10–200 g/m³
 - Spreading width 1–8 m
- All models have a hydraulically lifted spreader head
- Hydraulic requirements: pressure and return connection
- Suitable for several tractor makes and models (Wille, LM-Track, Lundberg, Kärcher-Belos, Holder...)
- Cover, warning triangle, rotating beacon and level inspection window come as standard
- Standard electrical system 12 V or 24 V

Accessories

- SERCO LS Storage Legs
- SERCO LKS/LS Spreading Capacity Automation
- SERCO Vibration System



Efficient, saves time & material!



MODEL	Product number	Capacity	Weight	Width	Length	Oil flow min.	Oil flow max.	Base machine weight recommendation	Working width
Vilho 450LS	600308	450 l	285 kg	1264 mm	1843 mm	32 l/min	100 l/min	1.5-3 t	1-8 m
Vilho 700LS	600307	700 l	387 kg	1300 mm	2081 mm	56 l/min	100 l/min	3-6 t	1-8 m
Vilho 1000LS	600292	1000 l	483 kg	1300 mm	2506 mm	56 l/min	100 l/min	6-9 t	1-8 m

The Vilho LS Disc Spreader is also available with a saline solution tank. The product is then LS-LV. For more information see <https://www.serco.fi/vilho-700ls-lv-yhdistelmalaautassirotin>

REKO TVH ROLLER FRAME SPREADER

- Reko TVH Roller Frame Spreaders are available in three sizes
- Hydraulically operated, manually adjustable rotation speed
 - The spreading capacity is adjusted from the flow control valve on the side of the machine, or if the oil flow of the base machine can be adjusted, the capacity can also be adjusted from the cab
- Hydraulic requirements: 1 hose pair for the roller and 1 hose pair the hydraulically operated bottom hatch
 - Oil flow max.: 100 l/min

Standard equipment:

- Crusher rotor
- Support leg
- Hydraulic brakes
- Screen/grille
- Hydraulically operated bottom hatch
- Tarpaulin
- Truck tyres
- Hydraulic quick couplers of your choice

The Reko Roller Frame Spreader is ready for use in road traffic!



Watch product video
https://youtu.be/Rfb_KellU0s

Towable crushing spreader



MODEL	Product number	Capacity	Weight	Width	Working width	Height	Length	Tyre size
Reko 3000TVH	605572	3000 L	1800 kg	2175 mm	2000 mm	1810 mm	4100 mm	285/70R19.5
Reko 5000TVH	605573	5000 L	2100 kg	2370 mm	2200 mm	2020 mm	4100 mm	295/65R22.5
Reko 8000TVH	605574	8000 L	2700 kg	2760 mm	2600 mm	2100 mm	4540 mm	385/60R22.5

TOP KL TIPPING PLATFORM

- An easy way to transport gritting material, earth, rubbish bags, etc.
- Installed on top of a utility machine's engine compartment
- Comes with machine-specific mounting feet
- Three size categories
- Hydraulic requirements: one hose pair for platform tipping

Accessories

- SERCO Tipping Platform Cover
- SERCO LS Storage Legs
- SERCO Top Tipping Platform Roller Spreader
- SERCO Top Disc Spreader (1 disc) *
- SERCO Top Disc Spreader (2 discs) *

* Roller spreader required



Can be equipped with a roller spreader or roller and disc spreaders.

Easy to install with machine-specific mounting feet.



MODEL	Product number	Capacity	Total weight (incl. feet)	Total weight (without feet)	Platform dimensions (d x w x h)	Height without feet, tipper down	Height without feet, tipper up
SERCO Top 250KL	104238	250 l	186 kg	154 kg	1165 x 1089 x 222 mm	447 mm	985 mm
SERCO Top 400KL	104247	400 l	221 kg	172 kg	1315 x 1089 x 336 mm	556 mm	1162 mm
SERCO Top 600KL	104265	600 l	280 kg	220 kg	1741 x 1089 x 336 mm	621 mm	1425 mm

SERCO TOP TIPPING PLATFORM SPREADER

- Compatible with all Top Tipping Platforms
- A choice of either the Top Tipping Platform Roller Bucket Spreader or Top Tipping Platform Disc Spreader with one or two discs
 - Please note that the disc spreader needs also a roller bucket spreader to work
- The Top Tipping Platform Roller Bucket Spreader is equipped with a unique multi-spring system that enables even large chunks or stones to pass through the spreader without impacting the spreading result
- The Top Tipping Platform Disc Spreader is equipped with hydraulic lift and lowering
- The spreading capacity is adjusted from the flow control valve on the side of the machine, or if the oil flow of the base machine can be adjusted, the capacity can also be adjusted from the cab
- Hydraulic requirements: pressure and return connection for spreaders and one hose pair for tipping

Easy and quick attachment to the tipping platform fasteners.



MODEL	Product number	Weight	Width	Height	Length
Top Tipping Platform Roller Bucket Spreader	603793	49 kg	1163 mm	475 mm	385 mm
Top Tipping Platform Disc Spreader 1 Disc	603794	29 kg	1124 mm	773 mm	580 mm
Top Tipping Platform Disc Spreader 2 Discs	603795	43 kg	1124 mm	600 mm	550 mm

TOP SA ZOOM PLOW

- The Top Zoom Plow has vertical and tilting float
- The controls are electro-hydraulic in accordance with the hydraulics of the base machine
- Reinforced end plates that can be turned up and have floating blades prevent the snow from getting out of the plow
- The hydraulic turning device has been equipped with pressure reserves and separate impact protectors
- The turning angle of the plow is +/- 30 degrees
- The Top Zoom Plow has a strong and robust structure; all important wear parts have been made of high-tensile steel.
- Available with all quick couplers. The quick coupler is included in the price.
- Perforated cogged blades or even blades as standard.

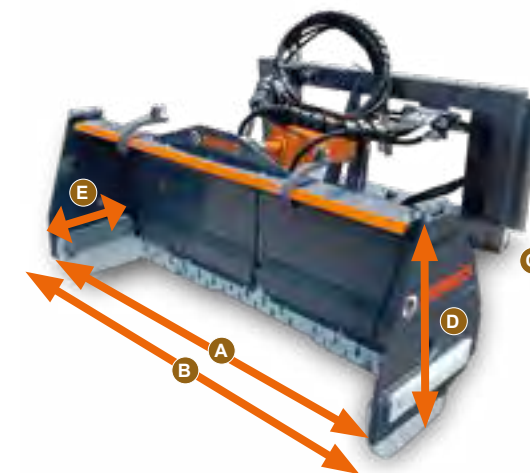


Watch product video
<https://youtu.be/pCMoEfKVDSk>

The genuine and original!

MODEL	Product number	Weight (ca) depending on coupler	A.Working width	B.Total width	C.Turning angle	D.Wing height	E.Wing length	Base machine weight recommendation
Top 6113M SA	603407	270 kg	1300 - 2100 mm	1402 - 2202 mm	25	600 mm	300 mm	1 - 3 t
Top 6113 SA	603408	310 kg	1300 - 2100 mm	1402 - 2202 mm	25	600 mm	300 mm	1 - 3 t
Top 6115 SA	603409	380 kg	1500 - 2500 mm	1602 - 2602 mm	25	600 mm	300 mm	2 - 4 t
Top 6118 SA	603410	490 kg	1800 - 2900 (light) mm	1943 - 3043 mm	25	720 mm	280 mm	2,5 - 4 t
Top 6118H SA	603411	720 kg	1800 - 2900 (heavy) mm	1886 - 2986 mm	30	800 mm	380 mm	4 - 8 t
Top 6120 SA	603412	800 kg	2000 - 3200 mm	2102 - 3302 mm	30	800 mm	380 mm	4 - 8 t
Top 6123 SA	603413	870 kg	2300 - 3700 mm	2402 - 3802 mm	30	800 mm	380 mm	5 - 12 t
Top 6125 SA	603414	920 kg	2500 - 4100 mm	2602 - 4202 mm	30	800 mm	380 mm	7 - 15 t
Top 6131 SA	605006	1550 kg	3150 - 5550 mm	3338 - 5738 mm	30	1150 mm	380 mm	10 - 20 t

MODEL (MAX version)	Product number	Weight (ca) depending on coupler	A.Working width	B.Total width	C.Turning angle	D.Wing height	E.Wing length	Base machine weight recommendation
Top 1502H SA	603416	450 kg	1500 - 2500 mm	1602 - 2602 mm	25	720 mm	300 mm	2 - 4 t
Top 1802H SA	603417	825 kg	1800 - 2900 mm	1943 - 3043 mm	30	960 mm	380 mm	4 - 8 t
Top 2002H SA	603418	900 kg	2000 - 3200 mm	2102 - 3302 mm	30	960 mm	380 mm	4 - 8 t
Top 2302H SA	603419	970 kg	2300 - 3700 mm	2402 - 3802 mm	30	960 mm	380 mm	5 - 12 t
Top 2502H SA	603420	1030 kg	2500 - 4100 mm	2602 - 4202 mm	30	960 mm	380 mm	7 - 15 t



The trigger device, which comes as standard in the plow, gives in the event of an impact.



SKAALA A AND TRA PLOWS

- Hydraulically scalable width;
 - smallest 1,400–2,300 mm and largest 2,400–4,000 mm and
 - with double frame smallest 1,800–3,400 mm and largest 3,000–5,800 mm
- The plow has no bottom, so a push is all that is needed - significant time savings!
- Equipped with a spring-loaded adaptor, which makes adjusting the position easier and the transport of the plow more pleasant.
- Open frame structure, no problems with frost!
- Standard equipment: perforated blades, quick couplers, floating adapter plate, side wings with springs, side blades HB 400, one hose pair (= symmetrical spreading) and quick fastener.

Accessories

- Second pair of hoses (= for asymmetrical spreading)
- Control valve (= for asymmetrical spreading with one hose pair)

More in one go! The big side wings gather up more snow on one pass.



Conforms to the shape of the ground!
The spring-loaded side wing together with the floating adaptor keeps the plow close to the ground even when it is uneven.

Watch product video
<https://youtu.be/zHGGT7zA274>



Known for its durability!

MODEL	Product number	A. Working width (Min. / Max.)	B. Total width	C. Height	C. Wing usable length	Weight (incl. quick coupler)	Base machine weight recommendation (tonnes)
Skaala 14-23 A	603881	1400-2300 mm	1550-2450 mm	600 mm	650 mm	560 kg	2-4 t
Skaala 16-26 A	603882	1600-2600 mm	1750-2750 mm	600 mm	650 mm	620 kg	3-4 t
Skaala 17-28 A	603883	1700-2800 mm	1850-2950 mm	700 mm	850 mm	750 kg	3-4.5 t
Skaala 19-30 A	603884	1900-3000 mm	2050-3150 mm	800 mm	900 mm	850 kg	4-8 t
Skaala 22-36 A	603885	2200-3600 mm	2350-3750 mm	1000 mm	1100 mm	1100 kg	7-8 t
Skaala 24-40 A	603886	2400-4000 mm	2550-4150 mm	1000 mm	1100 mm	1250 kg	8-9 t

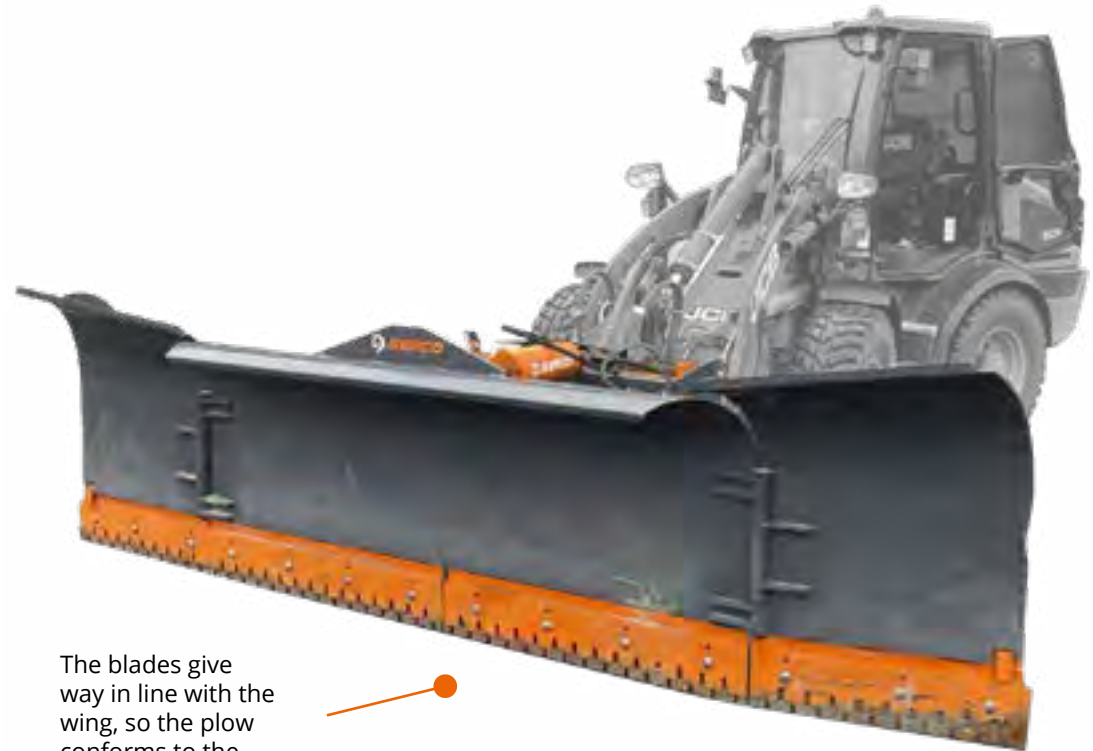


MODEL (Double frame plow)	Product number	A. Working width (Min. / Max.)	B. Total width	C. Height	C. Wing usable length	Weight (incl. quick coupler)	Base machine weight recommendation (tonnes)
Skaala 18-34 TRA	603888	1800-3400 mm	1950-3550 mm	800 mm	1000 mm	900 kg	4-8 t
Skaala 19-37 TRA	603889	1900-3700 mm	2050-3850 mm	1000 mm	1250 mm	1360 kg	7-8 t
Skaala 24-46 TRA	603890	2400-4600 mm	2550-4750 mm	1000 mm	1250 mm	1650 kg	Over 9 t
Skaala 28-53 TRA	604756	2800-5300 mm	2966-5466 mm	1200 mm	1400 mm	2000 kg	Over 10 t
Skaala 30-58 TRA	603893	3000-5800 mm	3150-5950 mm	1200 mm	1400 mm	2400 kg	Over 11 t



TOP UA U-PLOW

- Professional snow plow developed and manufactured in Finland by SERCO
- Slewing angle 30/30 degrees to left/right
- Open frame structure, no problems with frost!
- Suitable for efficient snow clearance in versatile working sites thanks to the side wings, which can turn 170 degrees
- Conforms to the shape of the ground with the flexible blades at the wing sides
- Bolt-on quick coupler, floating and cogged blades as standard



The blades give way in line with the wing, so the plow conforms to the shape of the ground

Updated model!



MODEL	Product number	Main wing working width	Total width	Width with wings spread	Side wing width	Height	Max. length with slewing device	Weight
Top 2000/850UA	605838	2000 mm	2690 / 2870 mm	3780 mm	800/850* mm	1180 mm	1860 mm	980 kg
Top 2500/850UA	605839	2500 mm	3060 / 3240 mm	4150 mm	800/850* mm	1180 mm	1860 mm	1040 kg

* Side blade width

TOP ICE RINK PLOW

- Top Ice Rink Plows have been specially designed for maintaining various outside ice rinks.
- It is suited for removing both snow and water from outside ice rinks.
- For use in boarded ice rinks, the Top Ice Rink Plow has a special flexible end plate mechanism to protect the boards of the rink.
- Hydraulic turning device equipped with pressure safety valves.
- Vertical and tilt float.
- Spring return trigger device in case of collisions.
- The hydraulic controls are always built in accordance with the hydraulics of your base machine.
- Hydraulic quick couplers of your choice.

Flexible end plate mechanism to protect the boards of the rink as standard.



The shape of the wing guarantees that water and snow is thrown far enough to the edges of the rink.

The most cost-effective way to clean outdoor rinks!



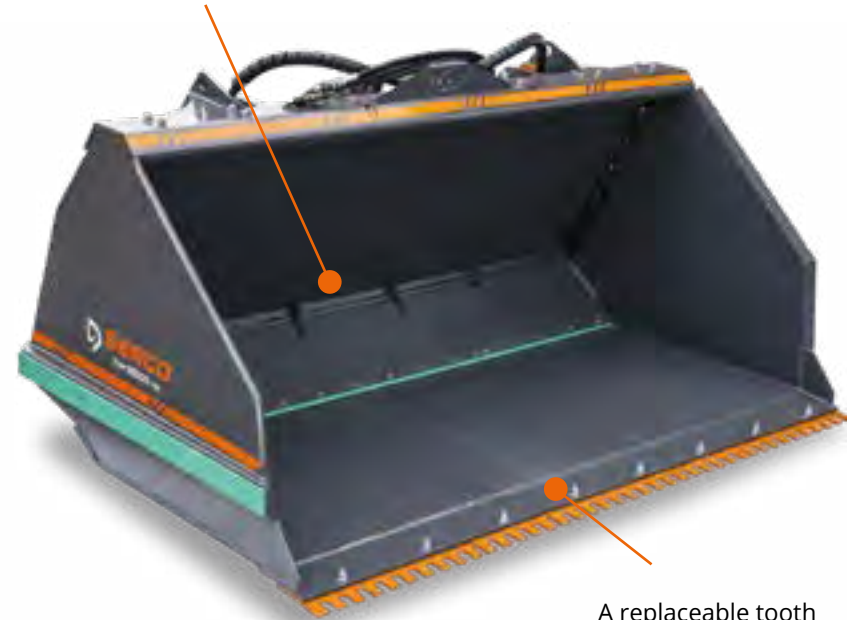
MODEL	Product no	Height	Effective width	Weight	Turning angle (degrees)
Top 3000SIA	603804	700 mm	3000 mm	290 kg	+/- 30 degrees
Top 3500SIA	603788	700 mm	3500 mm	330 kg	+/- 30 degrees



TOP HK DUMP BUCKET

- The Top Dump Bucket has been especially designed for loading light materials, such as snow, peat, saw dust and mulch
- Superior features
 - Low loading height, makes unloading faster
 - No need to shake or tilt the bucket, saves the joints and hydraulic cylinders of the base machine from wear
 - Neat and controlled unloading, the bucket can even be emptied in stages
- The back wall of the Top Dump Bucket moves forward hydraulically and pushes the material in the bucket, emptying it quickly and in a controlled way
- The bucket has been made from durable steel and stiffened with various reinforcements.
- Standard delivery includes a safety pressure valve and a tooth blade as lip plate, with a standard bolt pattern of 305 mm.
- Available with all common quick couplers.

Even and neat unloading!
There is no need to tilt or shake the bucket, as its back wall moves forwards and backwards hydraulically. This enables the controlled unloading of material.



A replaceable tooth blade comes as standard.



Watch product video
<https://youtu.be/Esn0BkObWaM>



No more shaking the bucket!



MODEL	Product number	Weight	Volume*	Water volume	Working width	High	Depth	Recommended weight of basic machine
Top 1700HK	605140	460 kg	1,2 m ³	0,9 m ³	1700 mm	1151 mm	1511 mm	Min. 5 t
Top 1900HK	603427	665 kg	2,0 m ³	1,4 m ³	1887 mm	1281 mm	1625 mm	Min. 6 t
Top 2000HK	603425	675 kg	2,5 m ³	1,6 m ³	2088 mm	1281 mm	1684 mm	Min. 7 t
Top 2500HK	603428	1045 kg	3,2 m ³	2,1 m ³	2425 mm	1373 mm	1777 mm	Min. 8 t
Top 2600HK	603429	1200 kg	4,7 m ³	2,7 m ³	2621 mm	1468 mm	1924 mm	Min. 9 t
Top 3000HK	605373	1934 kg	6,0 m ³	4,3 m ³	2860 mm	1781 mm	2197 mm	Min. 12 t

*Standard SAE J296

NIILO KH BUCKET BRUSH

- The Niilo bucket brush is designed for professional use and developed by Serco for cleaning sand and debris.
- Compared to the collecting brush device, the center of gravity is significantly closer to the work machine, which means that a larger bucket brush can be used in a smaller work machine.
- In addition, all size categories have features that cannot be found in many other bucket brushes; the possibility of using it as an open brush and the anti-freeze system of the watering system.
- The hydraulically rotating brush can be lifted up with two cylinders, making it easy to empty the bucket part of the brushed material.
- Easy and simple height adjustment of the brush and replacement of brush elements.
- Oil flow: min. 60 l/min and max. 100 l/min.
- Standard in all models:
 - bolt-on reversible lip plate
 - bucket floatation
 - support wheels
 - bolt-on quick fix connector
 - Hydraulic with one pair or two pairs of hydraulic hoses according to the customer's basic machine.

Watering systems

- Watering / dust binding system available as an option for all size classes.
- Antifreeze system as standard in the watering system. There is also small antifreeze tank. By recirculating the antifreeze through the hoses and water pump at the end of the work, they can be effectively prevented from being damaged in freezing temperatures and in cold storage.

A unique anti-freeze system is standard in the optional dust binding system in all size categories.



Watch product video
<https://youtu.be/a4K7OcOTc8w>

Agile, efficient and with large tanks!



The rotation direction of the brush can be changed, so that it can also be used as an open brush.

MODEL	Product number	Weigth with water tank	Weigth without water tank	Width	Height	Working width	Capacity (water)	Lamella	Water tank (antifreeze)	Base machine weight recommendation
Niilo 1400KH	605102	480 kg	450 kg	1600 mm	950 mm	1400 mm	210 l (390 l)	700 mm	145 l (20 l)	Min. 2,5 t
Niilo 1600KH	603437	660 kg	630 kg	1800 mm	1100 mm	1600 mm	340 l (610 l)	900 mm	180 l (20 l)	Min. 3 t
Niilo 2000KH	604263	765 kg	720 kg	2200 mm	1100 mm	2000 mm	450 l (800 l)	900 mm	275 l (20 l)	Min. 5,5 t
Niilo 2500KH	604266	945 kg	900 kg	2700 mm	1100 mm	2500 mm	560 l (1000 l)	900 mm	275 l (20 l)	Min. 7 t

SERCO REKO KH BUCKET BRUSH

- The centre of gravity is much closer to the base machine when compared to a collecting brush device. This enables the use of bigger bucket brushes in smaller machines.
- In all sizes, there is a standard welded wear-resistant steel lip plate, a floating bucket and wear strips at the bottom.
- The hydraulically operated brush can be lifted up using two cylinders so that the bucket part can be emptied easily.
- Height adjustment of the bristles and changing the bristle elements is also easy in all Reko bucket brush sizes
- Oil flow requirement min. 60 l/min, max. 100 l/min.
- The instant coupler is included in the price and the hydraulics with one or two hose pairs.
- More than 20 years of manufacturing history and market recognition testify to the quality of Reko Bucket Brushes, which customers have described as reliable, durable and having outstanding brushing results.

Accessories

- All models are available with an optional watering system and a standard 20-litre antifreeze container. The antifreeze can effectively be used to stop the water hoses from freezing.
- SERCO Reko Side Brush on the front or back



Watch product video

https://youtu.be/ls9wdfTxx_g?si=21DhZ8V0rIRHlq7N

Durable and affordable standard bucket brush!



MODEL	Product number	Working width	Total width	Depth	Height	Effective volume	Brush disc	Weight*
Reko 1600KH	605586	1668 mm	1826 mm	1788 mm	890 mm	356 l	900 mm	688 kg
Reko 1800KH	605587	1782 mm	1940 mm	1788 mm	890 mm	382 l	900 mm	711 kg
Reko 2000KH	605588	2068 mm	2226 mm	1788 mm	890 mm	445 l	900 mm	774 kg
Reko 2200KH	605589	2201 mm	2359 mm	1788 mm	890 mm	475 l	900 mm	802 kg
Reko 2500KH	605590	2568 mm	2726 mm	1788 mm	890 mm	555 l	900 mm	895 kg
Reko 3000KH	605773	2976 mm	3134 mm	1788 mm	890 mm	645 l	900 mm	1005 kg

* Weight without couplers and watering



KERTTU TL ROAD GRADER

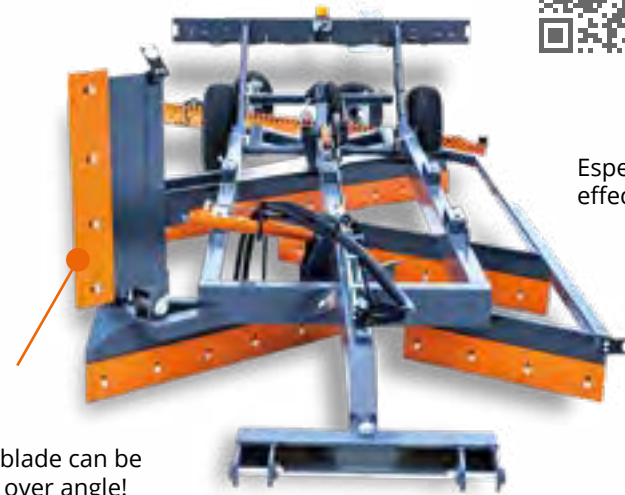
- Sturdy and reliable professional choice for the maintenance and upkeep of gravel roads
- Hydraulic lift, tilt and side blade
 - Requires: 2 x double-action hydraulic blocks and 1 x single-action block
 - Hydraulic side blade max. over angle is 22 degrees
- High blade holders
- Stepless adjustment of the support wheels of the stone rake
- The blades have standard attachment (305 mm).
- Ground clearance at transport mode: 400 mm

Standard equipment

- Spinning tow beam
- Floating stone rake
- Trailer lights, work lights, led - warning beacon
- Slow vehicle warning sign
- Gravity acting clinometer

Accessories

- SERCO TL Stinger Blades (for front blades)
- SERCO TL Additional Weights 1, 2 or 3 x 500 kg weights (max. 1500 kg/road grader)



Especially cost-effective kilometres!

The side blade can be driven in over angle!



MODEL	Product number	Length max.	Length without stone rake	Width of main blades	Width with side blade	Width with stone rake	Max. height (side blade up)	Weight	Tilt (left / right)
Kerttu 2500TL Road Grader	104601	9850 mm	7650 mm	2400 mm	2900 mm	3040 mm	2100 mm	1790 kg	500 mm / 15 degrees

KERTTU KPK PACKED SNOW GRADER

- Handy for e.g. shaping the surfaces of yards and for road maintenance in winter.
- Standard hydraulic:
 - Blade lift and tilt,
 - Blade side shift
 - Blade turning (45 degrees left and right, the material flow cut off blade can limit this partially)
- A continuous pressure and return connection is required from the base machine.
 - The hydraulic material flow cut off blade, available as an optional extra, requires a second dual-action hydraulic block
- Standard blade attachment (305 mm)
- Freely turning front wheels
- Electro-hydraulic control from the cab using two joysticks
 - Options 12 V and 24 V

Standard equipment

- Even blades
- A quick coupler of choice

Accessories

- SERCO KPK Stinger Blades
- SERCO KPK Hydraulic Side Blade
- SERCO KPK Mechanical Side Blade



The Kerttu KPK combined with e.g. a wheel loader is much more agile than a traditional, big road grader.



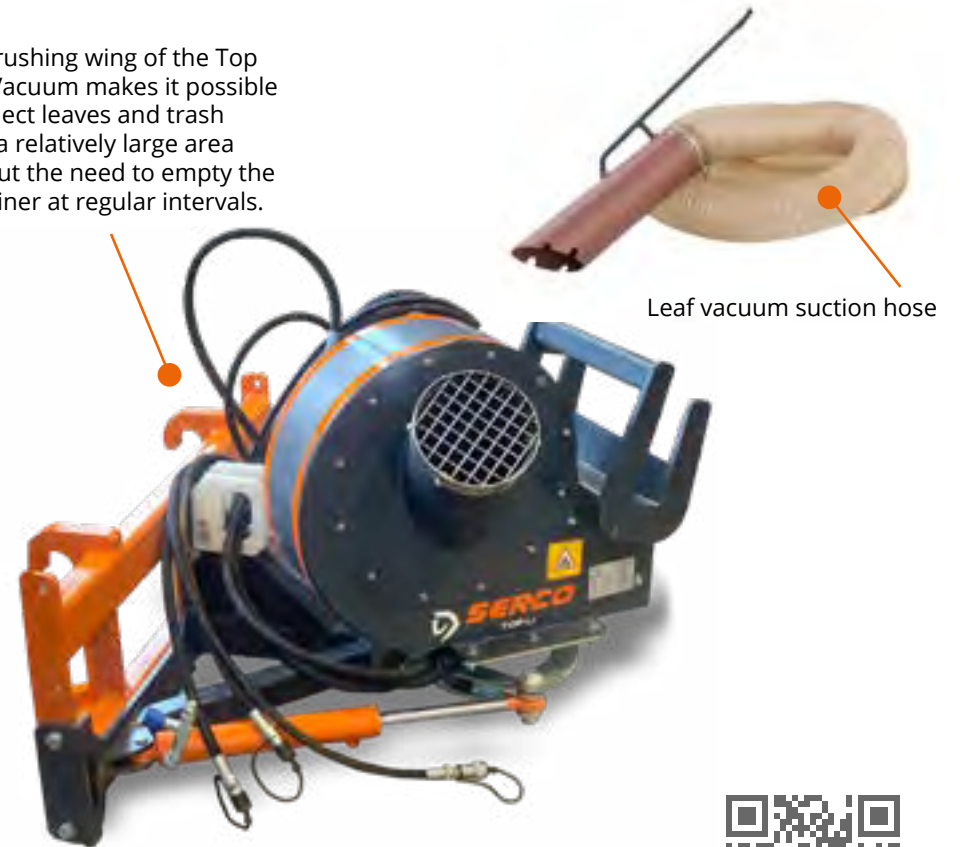
More agile than you think!

MODEL	Product number	Length	Width	Height	Weight	Base machine weight recommendation
Kerttu 2500KPK	600965	3000 mm	2500 mm	approx. 1800 mm	1880 kg	approx. 8-9 t
Kerttu 3000KPK	603843	3000 mm	3000 mm	approx. 1800 mm	1920 kg	Over 9 t

TOP LI LEAF VACUUM AND LPI LEAF BLOWER-VACUUM

- A choice of either the Top LI Leaf Vacuum or the Top LPI Leaf Blower-Vacuum, which can be easily modified to either vacuum or blow leaves.
- Easy to attach
 - The Top Leaf Vacuum has a mounting groove that allows it to be attached to any tailgate or container edge.
 - The Top Leaf Blower is mounted on the base machine's front lift device using a quick coupler, which is included in the delivery and price of the device
- Simple and easy to use
- Leaf vacuum available with a hydraulic or combustion engine. Hydraulics are always built in accordance with the base machine.
- Almost maintenance-free. There are only a few bearings requiring lubrication.
- Top Leaf Vacuum
 - Length of suction hose 5 or 10 m (customer's choice, not included in the price of the vacuum)
 - Oil flow requirement: min. 50 l/min, max. 70 l/min
 - Hydraulic option requires three hydraulic hose lines: pressure, return and free tank line
- Top Leaf Blower
 - Oil flow requirement: Min 50 l/min
 - Requires five hydraulic hose lines: pressure, return and a free tank line for the blower and one hose pair for the turn cylinder

The crushing wing of the Top Leaf Vacuum makes it possible to collect leaves and trash from a relatively large area without the need to empty the container at regular intervals.



Leaf vacuum suction hose

Watch product video
<https://youtu.be/qQcc2RaaqR4>



VACUUMS AND BLOWERS

For quick and efficient removal of leaves and trash!



MODEL	Product number	Width	Height	Depth	Weight
Top LI Leaf Vacuum Hydr.	603616	620 mm	650 mm	721 mm	95 kg
Top LPI Leaf Blower-Vacuum	603789	1220 mm	850 mm	1200 mm	240 kg
Top LI Leaf Vacuum PA	605364	464 mm	1329 mm	1212 mm	164 kg

NOTE! The dimensions of the leaf vacuum do not include the hoses or suction hose. The weight of the leaf blower-vacuum includes the quick fastener, the weight of which varies slightly by fastener type.

AARO HP HIGH-PRESSURE WASHER

- A hydraulic high-pressure washer with a manual pressure washer. Compatible with various water tanks.
- Compatible with all common loaders and tractors.
- Combine this washer with SERCO Aaro Transport Tanks to build a compact solution for your multi-function machine.
- Versatile package: a spray pipe with hydraulic side shift and slewing.
 - Side shift +/- 500 mm
 - Slewing angle 25°/25°
- Pressure washer: water output 30 l/min ~200 bar
- Includes a pressure washer handle and a 20-metre hose reel
- Hydraulic demand:
 - Engine hydraulics max. 70 l/min (water pump)
 - 2 x 2 operated cylinder hydraulics (slewing/side shift)

Standard equipment:

- Quick coupler with welded hooks (customer's choice)
- Hydraulic quick couplers (customer's choice)

Optional extras:

- Control system for one hydraulic hose pair



Compact and versatile washer!



MODEL	Product number	Washer boom width	Side shift	Turn angle	Engine hydraulics Max.	Pressure washer output	Weight
Aaro HP	605650	1826 mm	+/- 500 mm	400 mm	70 l/min*	30 l/min - 200 bar	220 kg **

*Water pump** The weight varies slightly depending on the coupler type

AARO SWT TRANSPORT TANK

- The tank is installed on top of a utility machine's machine compartment.
- An efficient and durable tank for washing and watering and the transport and spreading of various liquids.
- Made from stainless steel, making it extremely durable and suitable for storing various anti-slip solutions.
- Quick installation made even easier by the SERCO Storage Legs sold as an accessory.
- A wide range of accessories and installation services are available directly from SERCO.

Standard equipment

- Bolt-on storage legs according to the base machine type
- Splash plates inside the tank

Accessories

- SERCO Aaro HP High-pressure Washer
- SERCO Storage Legs
- SERCO LL Solution Spreaders



MODEL	Product number	Capacity	Total width	Total height	Total length	Weight*	Different installation options
Aaro 550WT	602146	500 l	1140 mm	716 mm	1327 mm	164 kg	E.g. Wille 365
Aaro 1000WT	602145	1000 l	1458 mm	948 mm	1361 mm	279 kg	E.g. Wille 465
Aaro 1500WT	602144	1500 l	1458 mm	948 mm	1817 mm	445 kg	E.g. Wille 665



AARO RW HIGH-PRESSURE WASHER

- The Aaro RW High-pressure Washer is meant to be used with low-pressure pumps with the maximum pressure of the pumps at 20 bar
- All motions and functions are electric
- Kerb-stone nozzles left and right
- Nozzle pipe can be divided into two sections
- Washer pipe swing 27° left and right
- Adjustment of nozzle angle 75°
- Water consumption 200–350 l/min (depends on the nozzles used)
- **Also washes when backing up!**

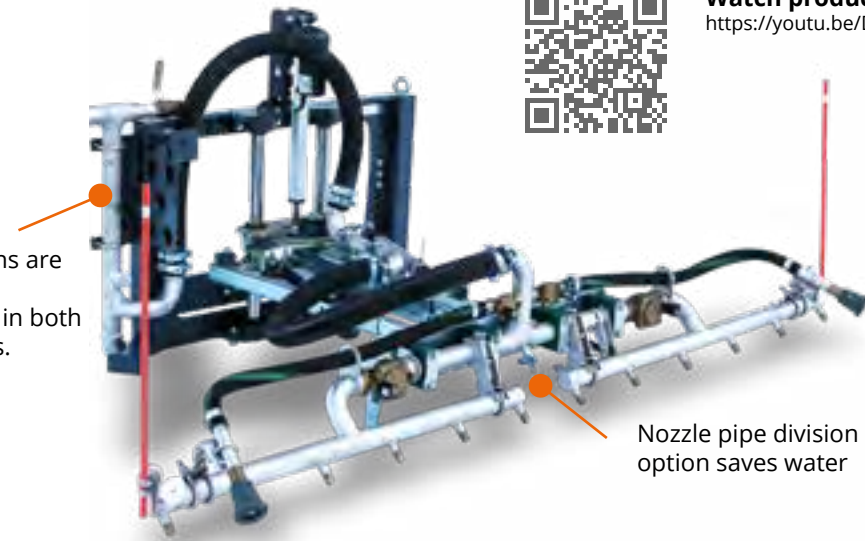
The standard delivery of the Aaro RW includes:

- ECU (24 V)
- A quick coupler of choice

Accessories

- JCE Pumps
- SERCO Pump
- SERCO Water Cannon with Electrical Control
- SERCO Mechanical Hose Reel
- SERCO Electrical Hose Reel

All motions are electric!
 Side shift in both directions.



Extremely versatile!



MODEL	Product number	Width	Length	Lift	Water consumption	Weight	Washing width	Side shift right/left
Aaro RW High-Pressure Washer	600172	2800 mm	1175–1495 mm	400 mm	200–350 l/min	430 kg	3000 mm	500 mm

AARO CC HIGH-PRESSURE WASHER

- The Aaro CC High-Pressure Washer is meant to be used with low-pressure pumps with the maximum pressure of the pumps at 20 bar.
- Hydraulic movements
 - Can be fitted to a truck or a tractor. The requirement is three double-action hydraulic blocks, which can be controlled from the vehicle.
 - Washer pipe swing 27° in both directions
- Electrical functions 24 V
 - Main water valve control and water cannon control as an optional extra.
- Water consumption 200–350 l/min (depends on the nozzles used)

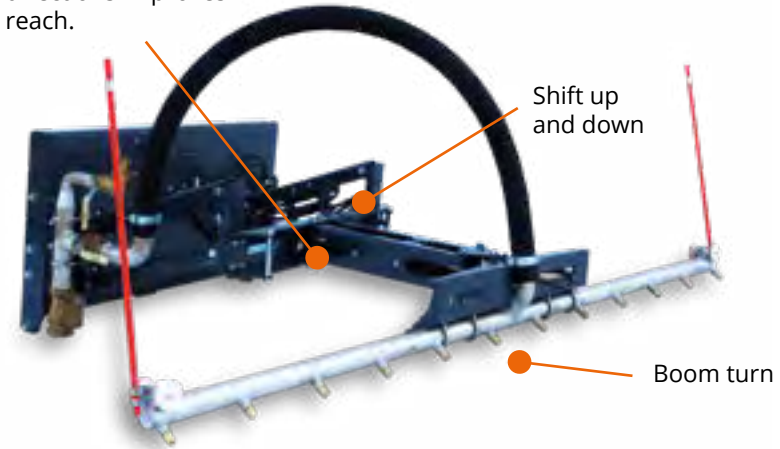
The standard delivery of the Aaro CC includes:

- ECU (24 V)
- A quick coupler of choice

Accessories

- JCE Pumps
- SERCO Pump
- SERCO Water Cannon with Electrical Control
- SERCO Mechanical Hose Reel
- SERCO Electrical Hose Reel

Side shift in both directions improves reach.



Simple, effective and reliable washing!



MODEL	Product number	Width	Length	Lift	Water consumption	Weight	Washing width	Side shift right/left
Aaro CC High-Pressure Washer	601975	2800 mm	1700 mm	400 mm	200–350 l/min	235 kg	3000 mm	500 mm

STAINLESS STEEL TANKS

- SERCO Stainless Steel Tanks are available in several sizes. The most common sizes are between 6 m³ and 15 m³.
- Several frame options available; with hook and cable attachment or standing legs.
- The tanks are made from stainless steel or acid-proof steel. The frame material is S355.
- The tank can be painted in the colour of the customer's choice. The paint used is a 2-component polyurethane paint.

Standard equipment

- Tank splash plates (prevent liquid from moving inside the tank)
- Air valve
- Maintenance hatch

Accessories



Light bar



Level indicator



Outlet valve



Solution spreader



Hose baskets



Electrical hose reel



Mechanical hose reel



MODEL	Width	Weight	Length
SERCO Stainless Steel Tank with Hook/Cable Frame	2100 mm	1700 kg	5.5 m

NOTE! Example size used in the table 12.5 m³ (605556). Sizes vary between 6 m³ and 15 m³.

PUMPS

JCE Pump 3" and 3-4" (Hydr. Motor)

- Three hydraulic hoses (pressure and return 3/4", free tank line 3/8").

NOTE! The free tank line must not be connected to the pump return line. It has to be a separate line to the hydraulic oil tank!



SERCO Centrifugal Pump D-16/014 with Hydraulic Motor

- Pump is made from aluminium
- Suction outlet 2-1/2" pipe thread (inside thread)
- Pressure outlet 2" pipe thread (inside thread)
- Mechanical flow control valve (max. input 100 l/min)
- Three hydraulic hoses (pressure and return with 3/4" hose, free tank line with 3/8" hose)

NOTE! The free tank line must not be connected to the pump return line. It has to be a separate line to the hydraulic oil tank!

SERCO Aaro Storage Tank Pump

- Excellent for pumping saline solutions and other liquids
- Made from an acid-resistant material
- A 0/1 switch and acid-proof protective casing as standard
- Pump voltage: 400 V



MODEL	Product number	Max. pressure	Max. output	Max. suction height	Weight	Hydr. oil flow	Hydr. oil pressure
JCE Pump 3" (Hydr. Motor)	003229	5 bar	1100 l/min	6 m	45 kg	60 l/min. Max. 90 l/min	180-220 bar
JCE Pump 3-4" Centrifugal Pump (Hydr. Motor)	003231	6 bar	1300 l/min	6 m	45 kg	60 l/min. Max. 90 l/min	180-220 bar
SERCO Centrifugal Pump	602696	8 bar	1000 l/min	-	40 kg	64 l/min	270 bar
SERCO Aaro Storage Tank Pump	600969	6 bar	420 l/min	-	46 kg	-	-

"The singing machine driver is a social media sensation. The man from Imatra entertains himself by singing heavy metal while operating his work machine."

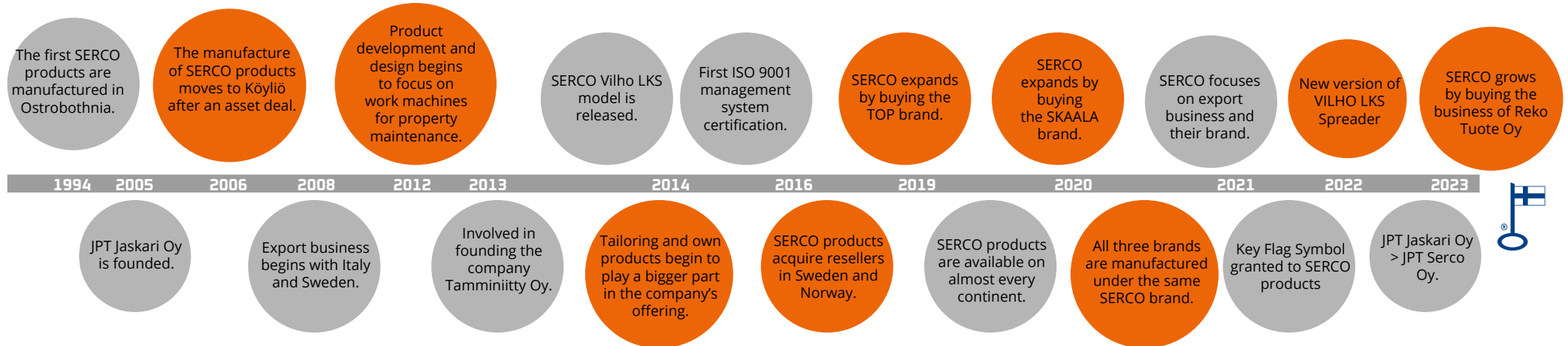
Yle News 1.11.2016

"When I drive home from work, the road is clean and salted and the bus stops are snow-free. I think to myself, it turned out good again."

JHL.fi 6.2.2017 "Matti is the hero of bad driving weather"

"A neat environment makes people feel more safe. An environment littered with trash decreases the sense of safety, and increases a sense of indifference and other problems."

Eastern Uusimaa Safety Programme 2018–2020



"I spend my nights following weather forecasts and cameras so that I'm always prepared to get to work."
- Serco Driver Jone

"People want plowing to be done by seven in the morning but they don't want to wake up to the sound of the plow before seven. These conditions are pretty impossible. Fortunately, compromises have been made and everyone has been happy with the plowing results."
- Serco Driver Hänninen

"It snowed almost half a metre during the night. The whole city is in chaos. Suddenly, out of the blizzard, a snow plow emerges. All the little boys cheer. - When I grow up, I'm going to be a snow plow driver too!"

"The plowers of Kouvola strike against winter with their full 70 vehicle fleet tomorrow night."

Kouvolan Sanomat 14.1.2019

"Plowman Pauli found an unconscious young woman in the freezing winter night --"I have never felt such cold hands. I kept her warm with my jacket and prayed for her to make it alive."

MTV3 News 7.2.2020



SERCO
SKAALA 28-53



JPT Serco Oy
Ristolantie 5, FI-27710 Köyliö, Finland
Tel. +358 2 4808 7000
info@serco.fi
www.serco.fi

  @sercotuotteet

Order products, accessories and spare parts or ask for a quote 24/7 in our webshop – www.serco.fi

